

# DXN



## DECONTACTOR™ FOR HAZARDOUS AREAS



**20 A/32 A/63 A**

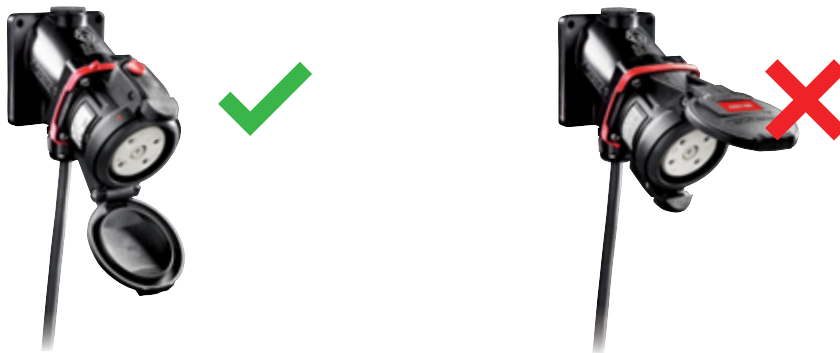
- ▶ IIC G D Ex de IIC, Ex tb IIIC
- ▶ Automatic IP66/IP67 water-and dust-tight
- ▶ Integrated load-break switch
- ▶ Robust and compact design
- ▶ High performance GRP casing

## TECHNICAL FEATURES

	DXN1	DXN3	DXN6
Rated current (In)	20 A	32 A	63 A
U <sub>max</sub>	550 V	750 V	750 V
Auxiliary contacts (optional)	–	2	2
Keying positions <sup>(1)</sup>	<<< 24 >>>		
Ambient temperature	<<< -40 °C to +60 °C >>>		
Protection mode	<<< «de» and «tb» >>>		
ATEX zones	<<< Zones 1 and 2 (gas) Zones 21 and 22 (dusts) >>>		

[1] To distinguish between different power supplies and applications

## MOUNTING: LOAD BREAK RELEASE BUTTON SHOULD BE AT THE TOP



## DECONTACTOR™ DXN are conform to:

- The ATEX 2014/35/EU Directive,
- IEC/EN 60079-0, IEC/EN 60079-1, IEC/EN 60079-7 and IEC/EN 60079-31 international standards
- The essential safety requirements of IEC 60309-1 & IEC 60309-4 international and European standards (plugs and socket-outlets for industrial purposes),
- The switch utilization categories AC-22 and AC-23 described in IEC/EN 60947-3,
- The French NF C 15-100 standard,
- The European 'Machine Directive' 2006/42/CE regarding equipment isolation,
- The French decree dated 20 December 2011 pertaining to the wiring and operating conditions of movable electrical apparatuses,
- The decrees relating to workers' protection in Belgium, Spain and Italy,

Also certified by LCIE (ATEX and IECEx), NANIO (TR CU EAC), NCC (INMETRO) and cCSAus (French, Russian, Brazilian and American-Canadian\* European and international notified bodies) and by BUREAU VERITAS MARINE.

[\*] for North-American markets

# DXN1

 DECONTACTOR™ HIGH PERFORMANCE  CASING

20 A IP66/IP67



## WALL MOUNTING SOCKET DXN1



Wall box poly 30°  
251AB53



Socket-outlet  
2514017

## PLUG DXN1



Straight handle poly  
251A753



Inlet  
2518017

## MAIN FEATURES

Rated current (with wiring according to standard)	20 A	Flexible wiring (min-max)	1-4 mm <sup>2</sup>
Maximum voltage	550 V	Stranded wiring (min-max)	1,5-6 mm <sup>2</sup>
IP protection lid closed	IP66/IP67	Other wiring	on request
IP protection plug connected	IP66/IP67	Keying positions	24
Shock resistance	IK08	Protection mode	de, tb
Ambient temperature	-40 °C to +60 °C	ATEX zones	1 & 2, 21 & 22

## TEMPERATURE RATING

Gas temperature classes	T6 for an ambient T° between -40 °C and +40 °C
	T5 for an ambient T° between -40 °C and +60 °C
Dust surface temperature classes	Surface T° ≤ 70 °C for an ambient T° between -40 °C and +40 °C
	Surface T° ≤ 90 °C for an ambient T° between -40 °C and +60 °C
Comply with EN 60309-1	20 A/550 V

## SOCKET-OUTLET female DXN1 (20 A)



## INLET male DXN1 (20 A)




Each socket outlet or inlet must be associated with a box, a sleeve or a handle.

20-24 V AC	2P	251408A	251808A
220-250 V AC	1P+N+E	2514015	2518015
380-440 V AC	3P+E	2514013	2518013
380-440 V AC	3P+N+E	2514017	2518017
480-500 V AC	3P+E	2514093	2518093
480-500 V AC	3P+N+E	2514097	2518097

► Other voltages, frequencies and contact configurations are available (see page 10).

### MARECHAL ELECTRIC FRANCE

 II 2 G D	Ex de IIC	T* Gb
	Ex tb IIIC	T* Db
*-40 °C ≤ Ta ≤ +60 °C	T5	T90 °C
-40 °C ≤ Ta ≤ +40 °C	T6	T70 °C
IECEX LCI 09.0005X/LCIE 99 ATEX 6027 X		

# DXN3

DECONTACTOR™ HIGH PERFORMANCE GRP CASING

32 A IP66/IP67



### WALL MOUNTING SOCKET DXN3



Wall box poly 30 °  
253A853

Socket-outlet  
2534017

### PLUG DXN3



Straight handle poly  
253A753

Inlet  
2538017

## MAIN FEATURES

Rated current (with wiring according to standard)	32 A	Flexible wiring (min-max)	2,5-10 mm <sup>2</sup>
Maximum voltage	750 V	Stranded wiring (min-max)	2,5-16 mm <sup>2</sup>
IP protection lid closed	IP66/IP67	Other wiring	on request
IP protection plug connected	IP66/IP67	Keying positions	24
Shock resistance	IK08	Protection mode	de, tb
Ambient temperature	-40 °C to +60 °C	ATEX zones	1 & 2, 21 & 22

## TEMPERATURE RATING

Gas temperature classes	T6 for an ambient T° between -40 °C and +40 °C
	T5 for an ambient T° between -40 °C and +60 °C
Dust surface temperature classes	Surface T° ≤ 57 °C for an ambient T° between -40 °C and +40 °C
	Surface T° ≤ 77 °C for an ambient T° between -40 °C and +60 °C
Comply with EN 60309-1	32 A/750 V

### SOCKET-OUTLET female DXN3 (32 A)



### INLET male DXN3 (32 A)



Each socket outlet or inlet must be associated with a box, a sleeve or a handle.

20-24 V AC	2P	253408A	253808A
220-250 V AC	1P+N+E	2534015	2538015
380-440 V AC	3P+E	2534013	2538013
380-440 V AC	3P+N+E	2534017	2538017
480-500 V AC	3P+E	2534093	2538093
480-500 V AC	3P+N+E	2534097	2538097
550 V AC - Auxiliaries 5 A	+ 2 contacts	Ref. + 972	Ref. + 972

► Other voltages, frequencies and contact configurations are available (see page 10).

### MARECHAL ELECTRIC FRANCE

II2 G D	Ex de IIC	T* Gb
	Ex tb IIIC	T* Db
*-40 °C ≤ Ta ≤ +60 °C	T5	T77 °C
-40 °C ≤ Ta ≤ +40 °C	T6	T57 °C
IECEX LCI 09.0006/LCIE 05 ATEX 6149		



### WALL MOUNTING SOCKET DXN6



Wall box poly 30°  
256AB53



Socket-outlet  
2564017

### PLUG DXN6



Straight handle poly  
256A753



Inlet  
2568017

## MAIN FEATURES

Rated current (with wiring according to standard)	63 A	Flexible wiring (min-max)	6-16 mm <sup>2</sup>
Maximum voltage	750 V	Stranded wiring (min-max)	6-25 mm <sup>2</sup>
IP protection lid closed	IP66/IP67	Other wiring	on request
IP protection plug connected	IP66/IP67	Keying positions	24
Shock resistance	IK09	Protection mode	de, tb
Ambient temperature	-40 °C to +60 °C	ATEX zones	1 & 2, 21 & 22

## TEMPERATURE RATING

Gas temperature classes	T5 for an ambient T° between -40 °C and +40 °C
	T4 for an ambient T° between -40 °C and +60 °C
Dust surface temperature classes	Surface T° ≤ 87 °C for an ambient T° between -40 °C and +40 °C
	Surface T° ≤ 107 °C for an ambient T° between -40 °C and +60 °C
The essential safety requirements of IEC 60309-1	63 A/750 V

### SOCKET-OUTLET female DXN6 (63 A)



### INLET male DXN6 (63 A)




Each socket outlet or inlet must be associated with a box, a sleeve or a handle.

20-24 V AC	2P	256408A	256808A
220-250 V AC	1P+N+E	2564015	2568015
380-440 V AC	3P+E	2564013	2568013
380-440 V AC	3P+N+E	2564017	2568017
480-500 V AC	3P+E	2564093	2568093
480-500 V AC	3P+N+E	2564097	2568097
550 V AC - Auxiliaries 5 A	+ 2 contacts	Ref. + 972	Ref. + 972








► Other voltages, frequencies and contact configurations are available (see page 10).

### MARECHAL ELECTRIC FRANCE

 II2 G D	Ex de IIC	T* Gb
	Ex tb IIIC	T* Db
*-40 °C ≤ Ta ≤ +60 °C	T4	T107 °C
-40 °C ≤ Ta ≤ +40 °C	T5	T87 °C
IECEX LCI 09.0007/LCIE 05 ATEX 6150		



## OPTIONS (DETAILS ON PAGE 216)

	DXN1 size 1	DXN3 size 2	DXN6 size 3
<b>LOCKING PIN FOR 2 PADLOCKS Ø 8 mm (PADLOCKS NOT SUPPLIED)</b>			
	Socket-outlet ref. + 843	Socket-outlet ref. + 843	Socket-outlet ref. + 843
<b>SAFETY HASP FOR UP TO 6 PADLOCKS</b>			
	873A541	873A541	873A541
<b>INLET CAP IP66/IP67</b>			
	251A426	253A426	256A426
<b>IN-LINE CONNECTIONS (A PAIR OF FINGER DRAW PLATES TO AID CLOSING)</b>			
	611A346	613A346	616A346
<b>180° OPENING LID</b>			
	Metal socket ref. + 10	Metal socket ref. + 10	Metal socket ref. + 10
<b>SELF-RETURNING LID (WITHOUT FULL CLOSURE IP40)</b>			
	Socket-outlet ref. +R	Socket-outlet ref. +R	Socket-outlet ref. +R
<b>180° OPENING &amp; SELF-RETURNING LID</b>			
	Socket-outlet ref. + 18	Socket-outlet ref. + 18	Socket-outlet ref. + 18
<b>COMPATIBLE WITH DSN SOCKET</b>			
	Please contact	Please contact	NA
<b>SELF-EJECTING (see References AND OPTIONS DETAILS PAGE 228)</b>			
			



# ACCESSORIES

(SEE PAGE 238 TO CROSS REFERENCE WITH OLDER PART NUMBERS)

## BOXES



DXN1  
size 1

DXN3  
size 2

DXN6  
size 3

### WALL BOX POLY WITH EX POLY CABLE GLAND



30°	5-10 mm	251AB5316P		
30°	10-14 mm	251AB53	253AB53	
30°	12-18 mm	251AB5325P	253AB5325P	256AB53

### WALL BOX POLY WITHOUT CABLE GLAND



30°	M20	251AB53417	253AB53417	
30°	M25	251AB53418	253AB53418	256AB53418

### WALL BOX POLY WITHOUT TERMINAL BLOCKS



120 X 120 mm  
FOR DXN1/3

160 X 160 mm  
FOR DXN6

70°	10-14 mm	251AB8820P	253AB8820P	256AB8820P
70°	12-18 mm	251AB8825P	253AB8825P	256AB8825P
70°	16-25 mm	251AB8832P	253AB8832P	256AB8832P
70°	22-32 mm			256AB8840P

### WALL BOX POLY WITH TERMINAL BLOCKS (IECEX LCIE 16.0042X/LCIE 16 ATEX 3054X)



120 X 120 mm  
FOR DXN1/3

160 X 160 mm  
FOR DXN6

70°	10-14 mm	251A08820P <sup>(1)</sup>	253A08820P <sup>(2)</sup>	256A08820P <sup>(3)</sup>
70°	12-18 mm	251A08825P <sup>(1)</sup>	253A08825P <sup>(2)</sup>	256A08825P <sup>(3)</sup>
70°	16-25 mm			256A08832P <sup>(3)</sup>
70°	22-32 mm			256A08840P <sup>(3)</sup>

- With 2 holes (1 with a cable gland + 1 with a stopping plug), with 8+2E 4 mm<sup>2</sup> terminals blocks + 2,5 mm<sup>2</sup> wires, wiring 1 - 4mm<sup>2</sup>.  
For alternatives, please contact us.
- With 2 holes (1 with a cable gland + 1 with a stopping plug), with 8+2E 10 mm<sup>2</sup> terminals blocks + 6 mm<sup>2</sup> wires, wiring 2.5 - 10mm<sup>2</sup>.  
For alternatives, please contact us.
- With 2 holes (1 with a cable gland + 1 with a stopping plug), with 8+2E 16 mm<sup>2</sup> terminals blocks + 16 mm<sup>2</sup> wires, wiring 6 - 16mm<sup>2</sup>.  
For alternatives, please contact us.

#### IN THIS CONFIGURATION

-40 °C ≤ Ta ≤ +55 °C T4 T105 ° C  
-40 °C ≤ Ta ≤ +50 °C T5 T95 ° C

## LEGEND FOR OPTIONAL ACCESSORIES



Angle



Threading or gland size



EMC option





HT 240° C



Self-ejection

INFO +



SLEEVE		DXN1 size 1	DXN3 size 2	DXN6 size 3
<b>INCLINED POLY SLEEVE</b>				
	30°	251A057	253A027	256A027

	70°	251A757	253A757	256A757
---	-----	---------	---------	---------

HANDLE		DXN1 size 1	DXN3 size 2	DXN6 size 3
<b>POLY HANDLE WITH POLY CABLE GLAND</b>				

	10-14 mm	251A753	253A753	256A25320P
--	----------	---------	---------	------------

	12-18 mm	251A25325P	253A783	256A753
--	----------	------------	---------	---------

	16-25 mm	251A25332P	253A25332P	256A25332P
--	----------	------------	------------	------------

	22-32 mm		253A25340P	256A25340P
--	----------	--	------------	------------

<b>POLY HANDLE WITH EX GLAND FOR SELF-EJECTION OPTION </b>				
	10-14 mm	251A463	253A463	

	12-18 mm	251A44325P	253A44325P	256A463
--	----------	------------	------------	---------

	16-25 mm		253A44332P	256A44332P
--	----------	--	------------	------------

	22-32 mm			256A44340P
--	----------	--	--	------------

<b>STRAIGHT POLY HANDLE WITH METAL CABLE GLAND WITH EARTH CONTINUITY</b>				
	8-10 mm	251A25320M	253A25320M	256A25320M

	12-14 mm	251A25325M	253A25325M	256A25325M
--	----------	------------	------------	------------

	18-24 mm	251A25332M	253A25332M	256A25332M
--	----------	------------	------------	------------

**LEGEND FOR OPTIONAL ACCESSORIES**

-  Angle
-  Threading or gland size
-  EMC option
-  HT 240° C
-  Self-ejection

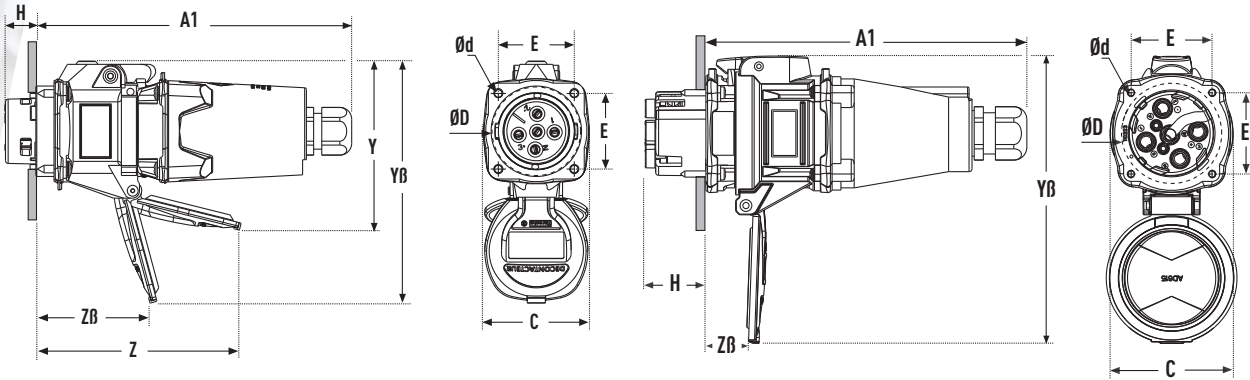
INFO +



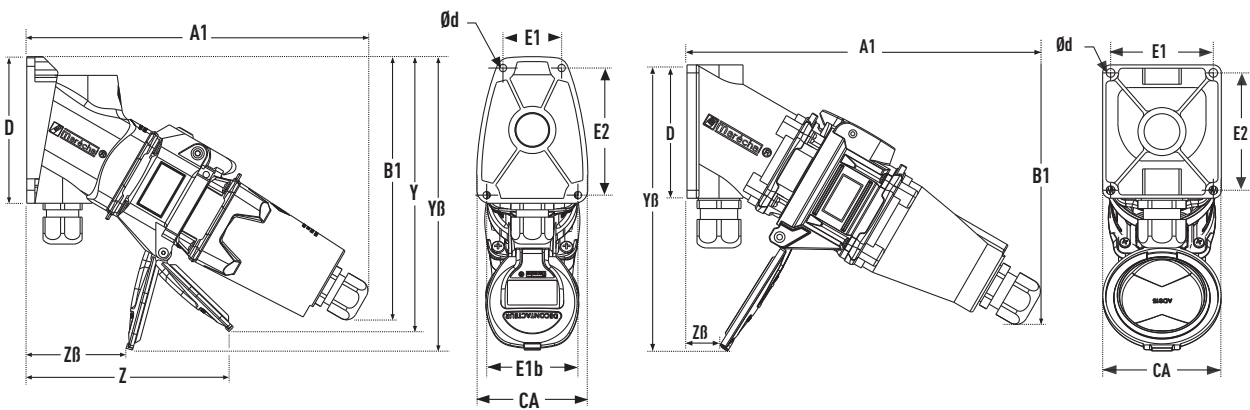


# DIMENSIONS

## DXN1/DXN3/DXN6



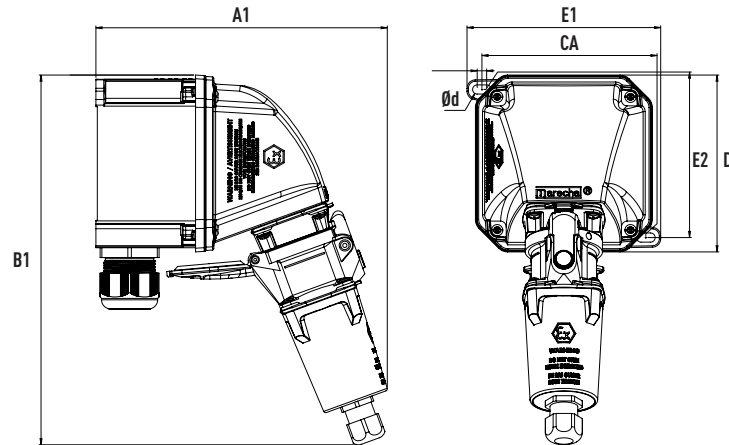
	A1	C	E	H	Y	YB	Z	ZB	Ød*	ØD max
<b>DXN1</b>	165	58	42	27	89	134	104	53	4,5	51
<b>DXN3</b>	190	77	48	29	-	171	-	39	5	57
<b>DXN6</b>	218	84	55	30	-	195	-	50	5	68



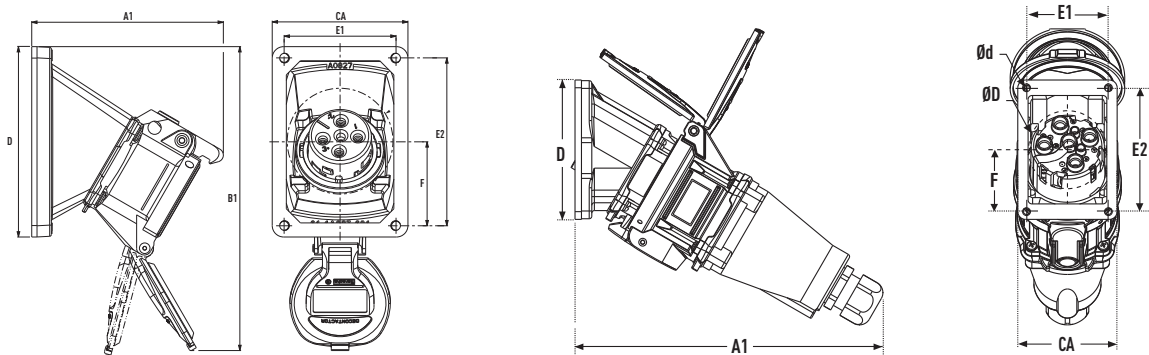
	A1	B1	CA	D	E1	E1b	E2	Y	YB	Z	ZB	Ød*
<b>DXN1</b>	209	162	68	90	36	56	78	166	180	127	61	4,5
<b>DXN3</b>	226	166	84	84	70	/	70	/	191	/	30	6
<b>DXN6</b>	265	195	89	100	77	/	88	/	225	/	41	6,5

\*Ød : maximum drilling diameter.

DXN1/DXN3/DXN6



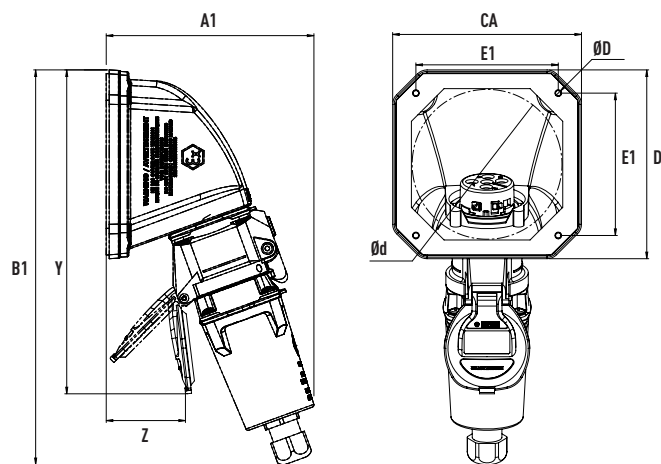
	A1	B1	CA	D	E1	E2	Ød*
<b>DXN1</b>	208	264	117	126	138	105.5	6,5
<b>DXN3</b>	217	275	117	126	138	105.5	6,5
<b>DXN6</b>	244	341	157	166	175	145.5	6,5



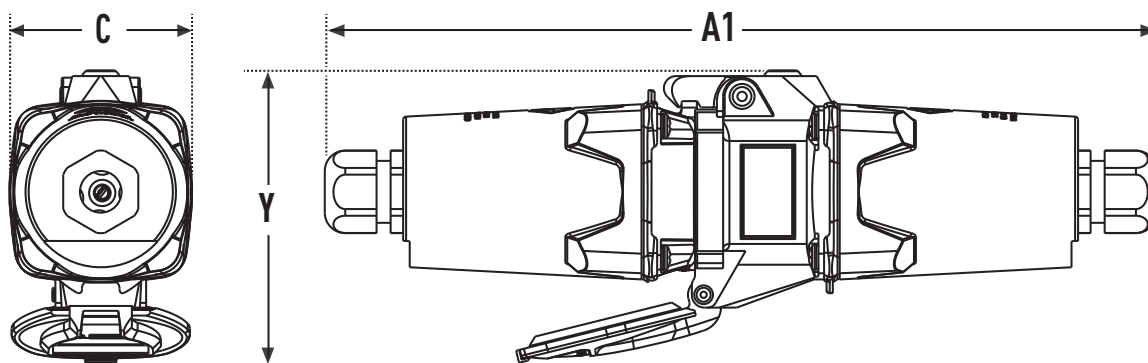
	A1	B1	CA	D	E1	E2	F	Ød*	ØD max
<b>DXN1</b>	109	172	77	108	63,5	95	48	5	60
<b>DXN3</b>	205	167	77	108	63	95	37	5,5	60
<b>DXN6</b>	239	190	77	108	64	95	40	5,5	60

\*Ød : maximum drilling diameter.

DXN1/DXN3/DXN6



	A1	B1	CA	D	E1	Y	Z	Ød*	ØD max
<b>DXN1</b>	139	264	126	126	95	217	53	3.6	100
<b>DXN3</b>	148	275	126	126	95	246	45	3.6	100
<b>DXN6</b>	175	341	166	166	135	300	71	3.6	140



	A1	C	Y
<b>DXN1</b>	266	58	89
<b>DXN3</b>	304	71	118
<b>DXN6</b>	350	84	122

\*Ød : maximum drilling diameter.