

Globe Light

1995

Max.
277V

Incandescent 100W max.
Compact Fluorescent 9W

Technical Specification

Application: Designed as an alternative to the brass globe & guard fixture. It is also available in many different color globes for use as a signalling light. Ideal for salt water environments.

Approvals: UL 1598 & 1598A.

Protection: Watertight, superior corrosion resistance.

Housing: Special black rigid plastic.

Globe: Impact resistant clear rigid plastic, available in clear, green, red, blue, & yellow.

Electrics: Fully removable gear tray for easy installation. Flexible wiring, heat resistant.

Cable entry: Four 3/4" NPT threaded openings with knockouts. One 3/4" NPT cable gland supplied. Please order additional cable glands separately.

Lamp base: Medium base screw socket or G23.

Light source(not included): Incandescent 100W max. or compact fluorescent lamp 9W, G23.

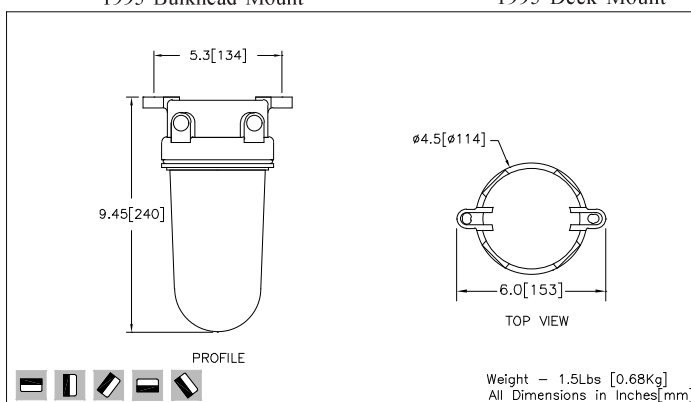
Mounting: 2 integral brackets for direct mounting to deckhead. Optional wall mounting bracket also available. Please order separately.



1995 Bulkhead Mount



1995 Deck Mount



Type	Color	Voltage	Part Number
Compact Fluorescent 9W	Clear	120V/60Hz	0802001001
Compact Fluorescent 9W	Green	120V/60Hz	0802002001
Compact Fluorescent 9W	Red	120V/60Hz	0802003001
Compact Fluorescent 9W	Yellow	120V/60Hz	0802004001
Compact Fluorescent 9W	Blue	120V/60Hz	0802005001
Incandescent Max. 100W	Clear	Max. 277V	0802006001
Incandescent Max. 75W	Green	Max. 277V	0802007001
Incandescent Max. 75W	Red	Max. 277V	0802008001
Incandescent Max. 75W	Yellow	Max. 277V	0802009001
Incandescent Max. 75W	Blue	Max. 277V	0802010001
Wall mount bracket	-	-	CA0097
Other voltages on request			

Spare Parts					
Item	Description	Part No.	Item	Description	Part No.
Lampholder	G23 Fluorescent (4 pcs)	992005	Globe	Clear	993006
	Medium screw base (4 pcs)	992006		Green	993007
Ballast	Ballast 9W; 120V/60Hz	991008		Red	993008
Cable Gland	3/4" NPT Polyamide (4 pcs)	995042		Yellow	993009
				Blue	993010