

## Multipurpose luminaire surface



- High quality marine luminaire
- 24V and LED versions
- Space saving fixture

### Application

For workshops, engine rooms, stores, holds and passage ways etc.

### Design

According to rules of maritime classification societies, additional VDE and IEC/EN.

### Housing

Zinc coated steel sheet, deep drawn housing in stainless steel AISI 316 available.

### Finish

Powder coated white RAL9016 and enamelled up to 70 - 80 µm thickness.

### Diffuser

Clear polycarbonate.

### Electric

With magnetic ballast, low or high power factor, as standard; electronic ballast available. Flexible wiring heat resistant up to 105°C.

### Lamp base

G5

### Light source

Designed for two T5 (T16) fluorescent lamp 8W (not included) or LED 9 x 1W (included).



### Mounting

To be mounted with 2 holes Ø13 mm; preinstalled threaded bushing or fixed end brackets.

### Cable entry

To be ordered separately: e.g. M20, M24 x 1.5 MGG/MGCG.

### Termination

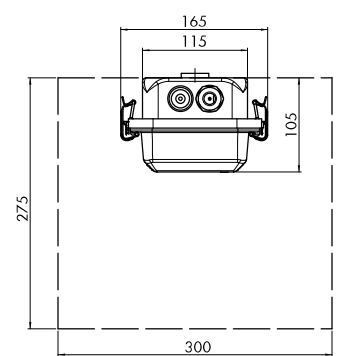
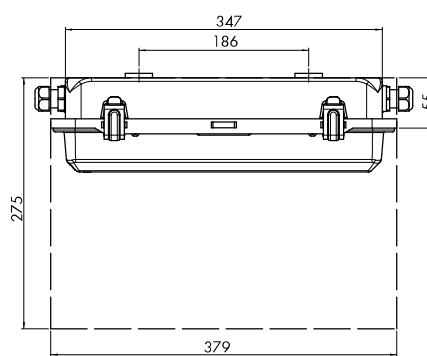
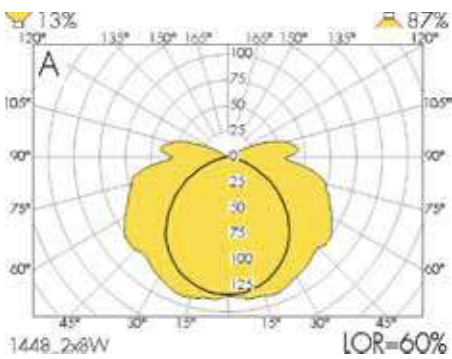
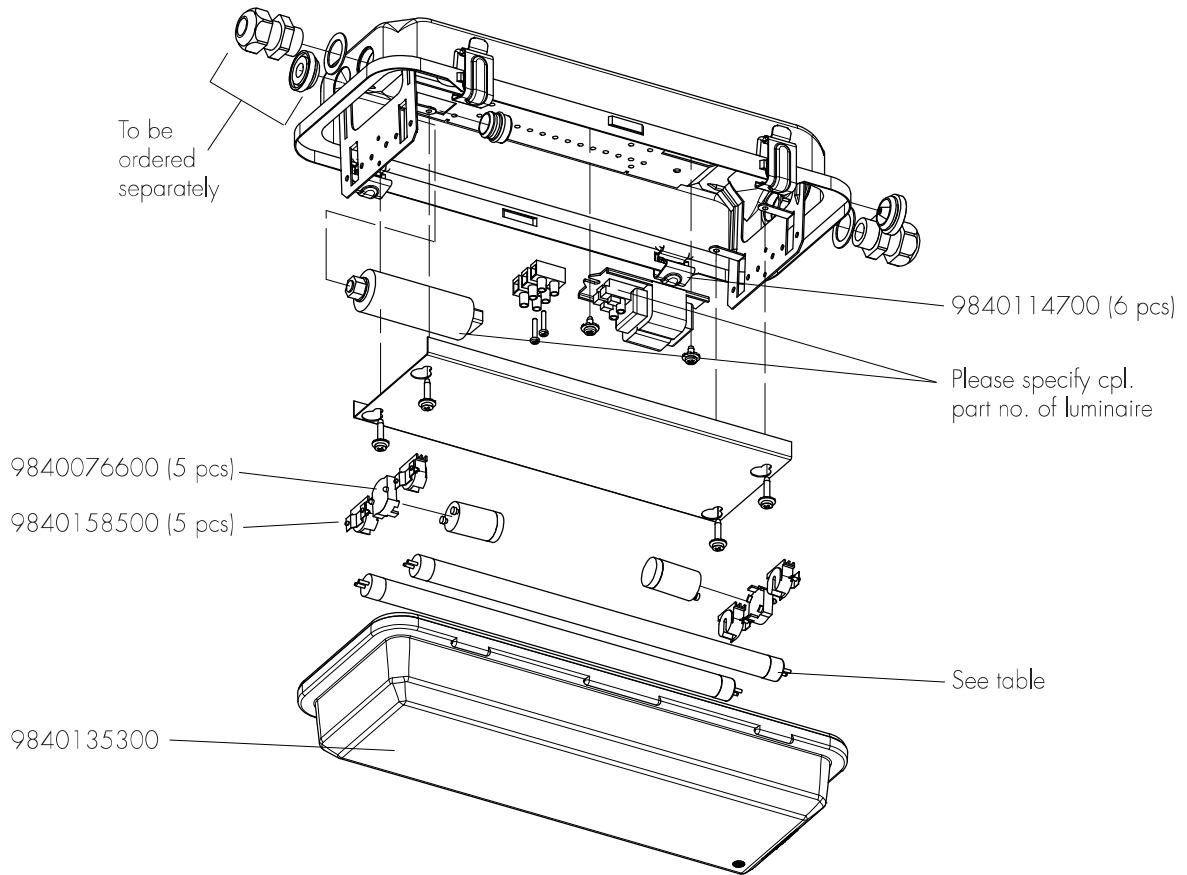
Terminal 3-pole/6 mm<sup>2</sup>.

More variants are available on request. Complete assortment on [www.glamox.com/gmo](http://www.glamox.com/gmo).

Items in table below with through wiring, preinstalled threaded bushing and one cable gland polyamide M20 each end for cable Ø7-14 mm

Product	Part-No. 230/50 l.p.f.~	Part-No. 230/50 h.p.f.c.~	Part-No. 230/60 l.p.f.~	Part-No. 230/60 h.p.f.c.~	Part-No. 24V DC	Weight kg	Lamp Code	Lamp Base	Light Distr.
<b>1448 2 x 8 W (Tandem)</b>	1448905203	1448906205	1448907202	1448908206		2.0	T16	G5	A
<b>1448 2 x 8 W</b>					1448985206	1.9	T16	G5	A
<b>1448 9 W (9 LED's)</b>	1448505202					1.9	LED		

Spare Parts/ Accessories



Measurements are in mm